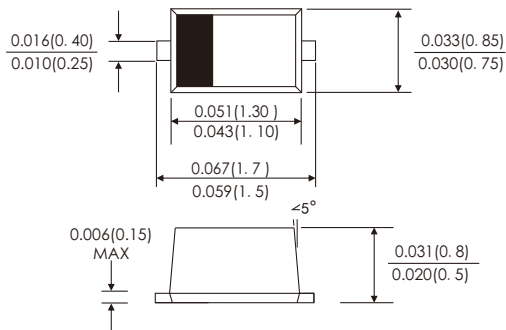


FEATURES

- Standard Zener breakdown voltage range-2.0V to 75V
- Steady State Power Rating of 300 mW
- High temperature soldering guaranteed:260°C/10 seconds at terminals
- Component in accordance to RoHS 2002/95/EC



SOD-523FL



MECHANICAL DATA

- Case: SOD-523FL
- Weight: 0.002 grams

Dimensions in inches and (millimeters)

ABSOLUTE MAXIMUM RATINGS(LIMITING VALUES) (TA=25°C)

	Symbols	Value	Units
Zener current see table "Characteristics"			
Total Device Dissipation FR-5 Board at TA=25°C	P _{tot}	300	mW
Junction and Storage temperature range	T _J T _{STG}	-55 to +150	°C

ELECTRICAL CHARACTERISTICS (TA=25°C)

	Symbols	Min	Typ	Max	Units
Forward voltage at I _F =10mA	V _F			0.9	V

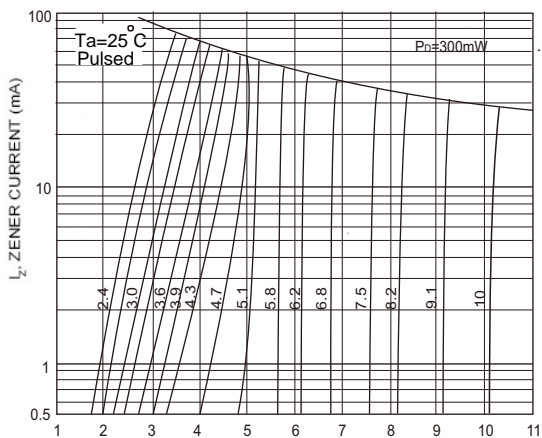
MM5Z2V0 ... MM5Z75

Type	Zener Voltage ¹⁾				Zener Impedance			Leakage Current		θ_{Vz} (mV/k) @ I_{ZT}		C @ $V_R=0$ $f=1\text{MHz}$
	V_{ZT} (V)			@ I_{ZT}	Z_{ZT}	Z_{ZK}	at I_{ZK}	I_R	@ V_R	Min	Max	pF
	Min	Nom	Max	mA	Ω	Ω	mA	μA	V			
MM5Z2V0	1.8	2.0	2.15	5	100	-	-	120	0.5	-	-	-
MM5Z2V2	2.08	2.2	2.33	5	100	-	-	120	0.7	-	-	-
MM5Z2V4	2.2	2.4	2.6	5	100	1,000	1	120	1	-3.5		450
MM5Z2V7	2.5	2.7	2.9	5	100	1,000	1	120	1	-3.5		450
MM5Z3V0	2.8	3.0	3.2	5	100	1,000	1	50	1	-3.5		450
MM5Z3V3	3.1	3.3	3.5	5	95	1,000	1	20	1	-3.5		450
MM5Z3V6	3.4	3.6	3.8	5	90	1,000	1	10	1	-3.5		450
MM5Z3V9	3.7	3.9	4.1	5	90	1,000	1	5	1	-3.5	-2.5	450
MM5Z4V3	4	4.3	4.6	5	90	1,000	1	5	1	-3.5		450
MM5Z4V7	4.4	4.7	5	5	80	800	1	2	1	-3.5	0.2	260
MM5Z5V1	4.8	5.1	5.4	5	60	500	1	2	1.5	-2.7	1.2	225
MM5Z5V6	5.2	5.6	6	5	40	200	1	1	2.5	-2.0	2.5	200
MM5Z6V2	5.8	6.2	6.6	5	10	100	1	1	3	0.4	3.7	185
MM5Z6V8	6.4	6.8	7.2	5	15	160	1	0.5	3.5	1.2	4.5	155
MM5Z7V5	7	7.5	7.9	5	15	160	1	0.5	4	2.5	5.3	140
MM5Z8V2	7.7	8.2	8.7	5	15	160	1	0.5	5	3.2	6.2	135
MM5Z9V1	8.5	9.1	9.6	5	15	160	1	0.5	6	3.8	7.0	130
MM5Z10	9.4	10	10.6	5	20	160	1	0.1	7	4.5	8.0	130
MM5Z11	10.4	11	11.6	5	20	160	1	0.1	8	5.4	9.0	130
MM5Z12	11.4	12	12.7	5	25	80	1	0.1	9	6.0	10	130
MM5Z13	12.4	13.25	14.1	5	30	80	1	0.1	10	7.0	11	120
MM5Z15	14.3	15	15.8	5	30	80	1	0.1	11	9.2	13	110
MM5Z16	15.3	16.2	17.1	2	40	80	1	0.1	12	10.4	14	105
MM5Z18	16.8	18	19.1	2	45	80	1	0.1	13	12.4	16	100
MM5Z20	18.8	20	21.2	2	55	100	1	0.1	15	14.4	18	85
MM5Z22	20.8	22	23.3	2	55	100	1	0.1	17	16.4	20	85
MM5Z24	22.8	24.2	25.6	2	70	120	1	0.1	19	18.4	22	80
MM5Z27	25.1	27	28.9	2	80	300	1	0.1	21	21.4	25.3	70
MM5Z30	28	30	32	2	80	300	1	0.1	23	24.4	29.4	70
MM5Z33	31	33	35	2	80	300	1	0.1	25	27.4	33.4	70
MM5Z36	34	36	38	2	90	500	1	0.1	27	30.4	37.4	70
MM5Z39	37	39	41	2	130	500	1	2	30	33.4	41.2	45
MM5Z43	40	43	46	1	150	500	1	2	33	37.6	46.6	40
MM5Z47	44	47	50	1	170	500	1	2	36	42.0	51.8	40
MM5Z51	48	51	54	1	180	500	1	1	39	46.6	57.2	40
MM5Z56	52	56	60	1	200	500	1	1	43	52.2	63.8	40
MM5Z62	58	62	66	1	215	500	1	0.2	47	58.8	71.6	35
MM5Z68	64	68	72	1	240	500	1	0.2	52	65.6	79.8	35
MM5Z75	70	75	79	1	255	500	1	0.2	57	73.4	88.6	35

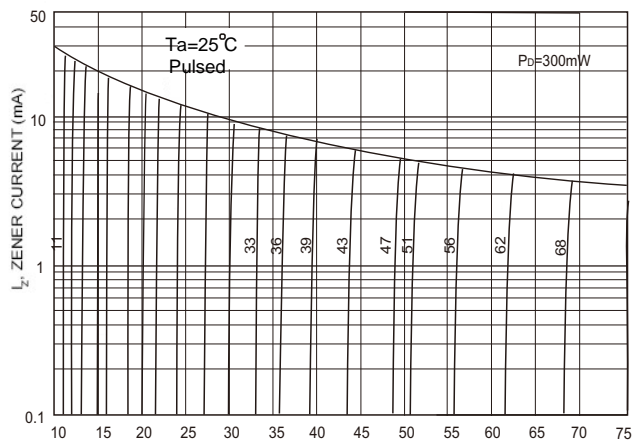
Note 1) Tested with pulse $t_p=20\text{ms}$.

MM5Z2V0 ... MM5Z75

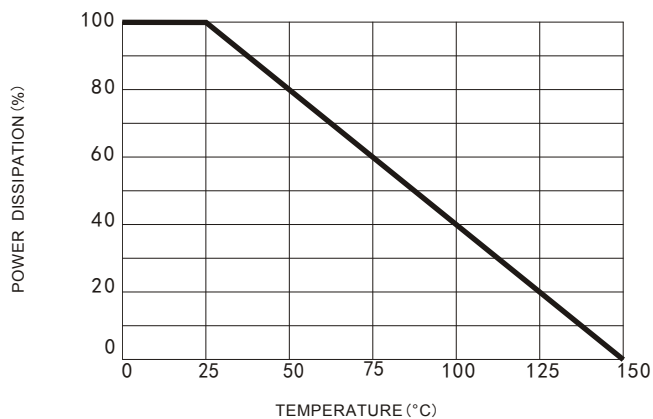
Zener Characteristics (V_z Up to 10 V)



Zener Characteristics (11 V to 75 V)



Steady State Power Derating



Friendship Reminder

■ JiNan JingHeng (hereinafter referred to as JH) reserves the right to make changes to this document and its products and specifications at anytime without notice.

济南晶恒（以下简称 JH）保留未经通知，变更本文件和与本文件相关的产品及规格的权利。

■ Customers should obtain and confirm the latest product information and specifications before final design, purchase or use.

使用方应在使用、采购本产品之前获取并确认产品信息和规格书的最新版本。

■ JH makes no warranty, representation or guarantee regarding the suitability of its products for any particular purpose, nor does JH assume any liability for application assistance or customer product design.

JH 对其产品用于某特定用途的适用性，既不做任何保证、说明或担保，也不承担任何应用协助或使用方设计的法定责任。

■ JH does not warrant or accept any liability with products which are purchased or used for any unintended or unauthorized application.

JH 不保证或承担任何责任，其产品被采购使用于任何非预期或授权的应用，

■ No license is granted by implication or otherwise under any intellectual property rights of JH.

此规格书属于 JH 的知识产权,没有经过我司授权不得抄袭。

■ JH's products are not authorized for use as critical components in life support devices or systems without express written approval of JH.

没有 JH 的书面授权，JH 的产品不能在生命支撑设备或系统里作为关键零件使用。