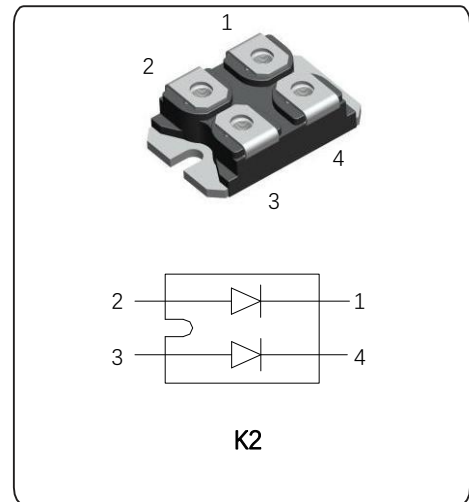


FEATURES

- High Surge Capability
- Isolation Type Package
- Electrically Isolation Base Plate
- Component in accordance to RoHS 2015/863/EU

SOT-227



MECHANICAL DATA

- Case: SOT-227
- Molding compound meets UL94V-0 flammability rating
- Polarity: As marked

TYPICAL APPLICATIONS

- Rectifiers in switch mode power
- Supplies(SMPS)
- Free wheeling diode in low voltage
- Converters

ABSOLUTE MAXIMUM RATINGS

Parameters	Symbol	Test conditions	Value	Unit
Maximum repetitive peak reverse voltage	V _{RRM}		200	V
Maximum Continuous forward current, per pkg per diode	I _F	T _c =110°C	320 160	A
Single pulse forward current, per diode	I _{FSM}	T _c =25°C	2000	A
RMS isolation voltage	V _{iso}	AC,t=1minute	2500	V
Maximum junction temperature	T _J		150	°C
Storage temperature	T _{stg}		-55 ~ 150	°C

ELECTRICAL CHARACTERISTICS

Parameters	Symbol	Test conditions	Min	Typ	Max	Units
Cathode to anodebreak down voltage	VBR	$I_r=100\mu A$	200	-	-	V
Forward voltage	V _F	$I_f=160A \quad T_j=25^\circ C$			0.92	
		$I_f=160A \quad T_j=125^\circ C$			0.82	
Reverse leakage current	I _R	$V_r=V_{BR} \quad T_j=25^\circ C$			0.5	mA
		$V_r=V_{BR} \quad T_j=100^\circ C$			10	
		$V_r=V_{BR} \quad T_j=150^\circ C$			30	
Junction to case,per diode	R _{thjc}				0.30	°C/W
Mounting torque				1.3		Nm

ORDERING INFORMATION TABEL

Device code	J	K2	S	320	-	200
	①	②	③	④		⑤

- ① JH 's power module
- ② Circuit configuration (2 separate diodes,parallel pin-out)
- ③ SKY Diodes
- ④ Maximum average forward current (320A)
- ⑤ Voltage rating(200=200V)

Fig.1-Forward Current Derating Curve

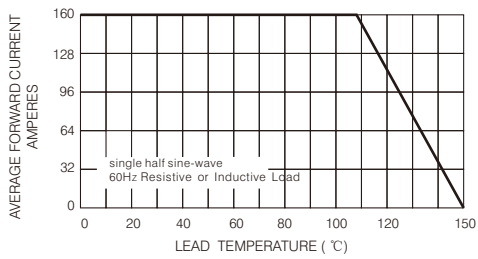


Fig.2-Maximum Non-repetitive Peak Forward Surge Current

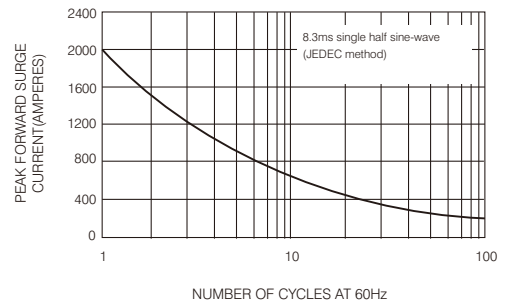


Fig.3-Typical Instantaneous Forward Characteristics

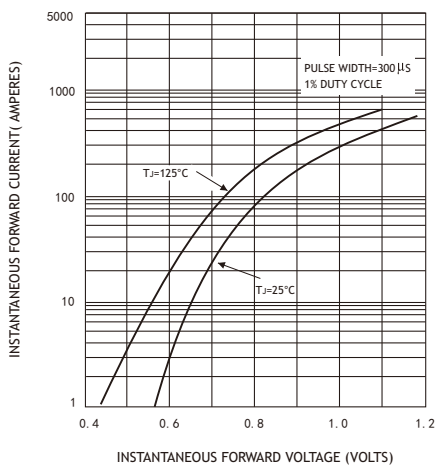
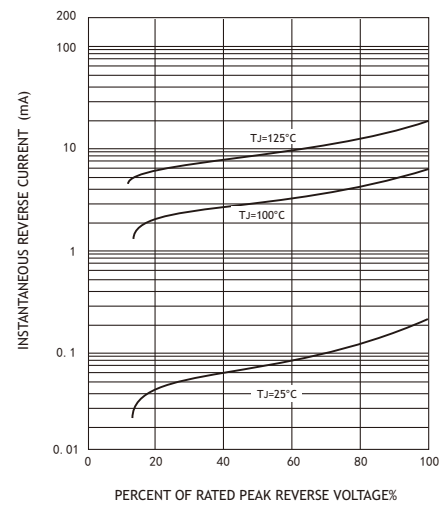
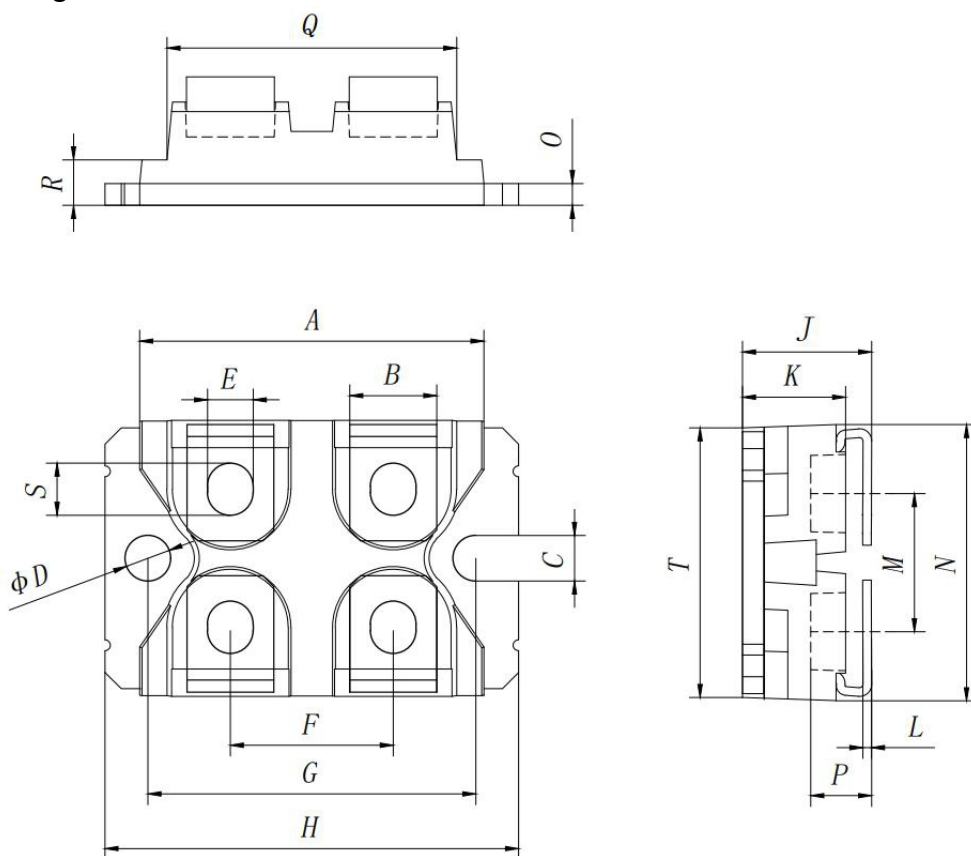


Fig.4-Typical Reverse Characteristics



SOT-227package



SYMBOLS	DIMENSION IN MM		
	MIN	NOM	MAX
<i>A</i>	31.20	31.70	32.20
<i>B</i>	7.50	8.00	8.50
<i>C</i>	3.80	4.20	4.60
<i>D</i>	3.80	4.20	4.60
<i>E</i>	3.80	4.20	4.60
<i>F</i>	14.50	15.00	15.50
<i>G</i>	29.80	30.20	30.60
<i>H</i>	37.70	38.10	38.50
<i>J</i>	11.50	11.90	12.30
<i>K</i>	8.90	9.50	10.00
<i>L</i>	0.75	0.80	0.85
<i>M</i>	12.40	12.70	13.00
<i>N</i>	25.00	25.40	25.80
<i>O</i>	1.70	2.00	2.30
<i>P</i>	4.95	5.60	6.10
<i>Q</i>	26.40	26.70	27.00
<i>R</i>	3.90	4.18	4.45
<i>S</i>	4.20	4.80	5.40
<i>T</i>	23.80	24.80	25.80

Friendship Reminder

- JiNan JingHeng (hereinafter referred to as JH) reserves the right to make changes to this document and its products and specifications at anytime without notice.

- Customers should obtain and confirm the latest product information and specifications before final design, purchase or use.

- JH makes no warranty, representation or guarantee regarding the suitability of its products for any particular purpose, nor does JH assume any liability for application assistance or customer product design.

- JH does not warrant or accept any liability with products which are purchased or used for any unintended or unauthorized application.

- No license is granted by implication or otherwise under any intellectual property rights of JH.

- JH's products are not authorized for use as critical components in life support devices or systems without express written approval of JH.