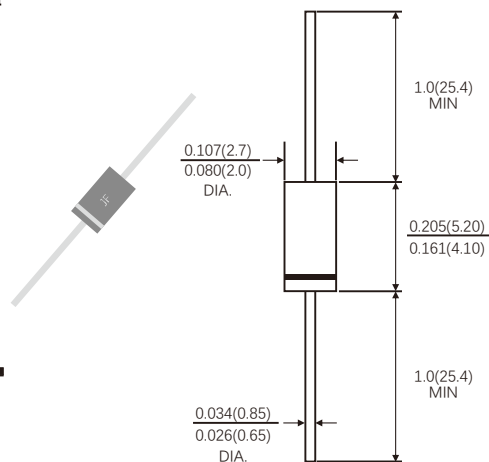


FEATURES

- Plastic package has Underwriters Laboratory Flammability Classification 94V-0
- Metal silicon junction ,majority carrier conduction
- Guard ring for overvoltage protection
- Low power loss ,high efficiency
- High current capability ,low forward voltage drop
- High surge capability
- High temperature soldering guaranteed:260°C/10 seconds at terminals
- Component in accordance to RoHS 2015/863/EU



DO-41



Dimensions in inches and (millimeters)

MECHANICAL DATA

- Case: JEDEC DO-41 molded plastic body
- Terminals: Plated axial leads, solderable per MIL-STD-750,method 2026
- Polarity: Color band denotes cathode end
- Mounting Position: Any
- Weight: 0.012ounce, 0.33 gram

TYPICAL APPLICATIONS

For use in low voltage ,high frequency inverters ,DC/DC converters, free wheeling ,and polarity protection applications

MAXIMUM RATINGS

(Ratings at 25°C ambient temperature unless otherwise specified)

PRIMARY CHARACTERISTICS	
$I_{F(AV)}$	1.0A
V_{RRM}	100V
I_{FSM}	40A
V_F at $I_F=1.0A$	0.59V
T_{JMAX}	150°C

Parameter	Symbol	Value	Unit
Maximum repetitive peak reverse voltage	V_{RRM}	100	V
Maximum average forward rectified current 0.375"(9.5mm) lead length(see fig.1)	$I_{F(AV)}$	1.0	A
Peak forward surge current 8.3ms single half sine-wave superimposed on rated load (JEDEC method at rated TL)	I_{FSM}	40	A
Operating junction temperature range	T_J	-55 to+150	°C
Storage temperature range	T_{stg}	-55 to+150	°C

ELECTRICAL CHARACTERISTICS (T_A=25°C Unless otherwise noted)

Parameter	Test Conditions		Symbol	Typ.	Max.	Unit
Instantaneous forward voltage	I _F =1.0A	T _J =25°C	V _F ¹⁾	0.69	0.71	V
		T _J =100°C		0.61	-	
		T _J =125°C		0.59	-	
Reverse current	V _R =100V	T _J =25°C	I _R ²⁾	-	10	μA
		T _J =100°C		-	300	mA
		T _J =125°C		-	1000	
Typical junction capacitance	4V,1MHz		C _J	60		pF

Notes: 1.Pulse test: 300 μs pulse width,1% duty cycle

2.Pulse test: pulse width ≤40ms

THERMAL CHARACTERISTICS

Parameter	Symbol	SR1100L	Unit
Typical thermal resistance ³⁾	R _{θJA}	50.0	°C/W
	R _{θJL}	15.0	

3.Thermal resistance from junction to lead vertical P.C.B. mounted , 0.375"(9.5mm)lead length

AVAILABLE PACK INFORMATION

Product code	Pack	Box Size L*W*H(mm)	Quantity(pcs/box)	Carton SizeL*W*H(mm)	Quantity(box/carton)
SR1100L-DO-41	B/P	190*80*21	1000	433*203*230	50
SR1100L-DO-41	T/B	264*74*135	5000	400*267*286	50

RATINGS AND CHARACTERISTIC OF SR1100L

FIG.1-FORWARD CURRENT DERATING CURVE

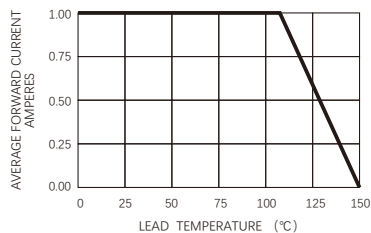


FIG.2-MAXIMUM NON-REPETITIVE PEAK FORWARD SURGE CURRENT

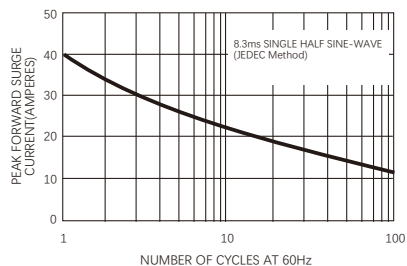


FIG.3-TYPICAL INSTANTANEOUS FORWARD CHARACTERISTICS

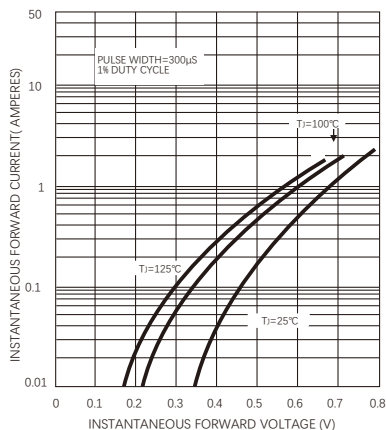


FIG.4-TYPICAL REVERSE CHARACTERISTICS

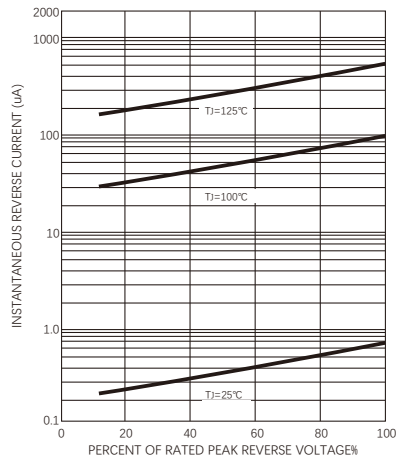
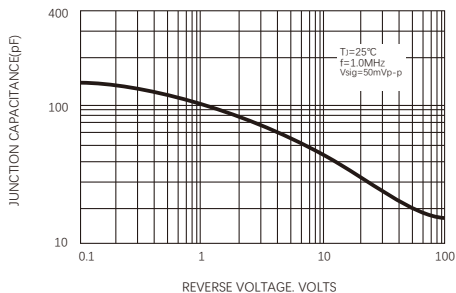


FIG.5-TYPICAL JUNCTION CAPACITANCE



Friendship Reminder

- JiNan JingHeng (hereinafter referred to as JH) reserves the right to make changes to this document and its products and specifications at anytime without notice.
- Customers should obtain and confirm the latest product information and specifications before final design, purchase or use.
- JH makes no warranty, representation or guarantee regarding the suitability of its products for any particular purpose, nor does JH assume any liability for application assistance or customer product design.
- JH does not warrant or accept any liability with products which are purchased or used for any unintended or unauthorized application.
- No license is granted by implication or otherwise under any intellectual property rights of JH.
- JH's products are not authorized for use as critical components in life support devices or systems without express written approval of JH.